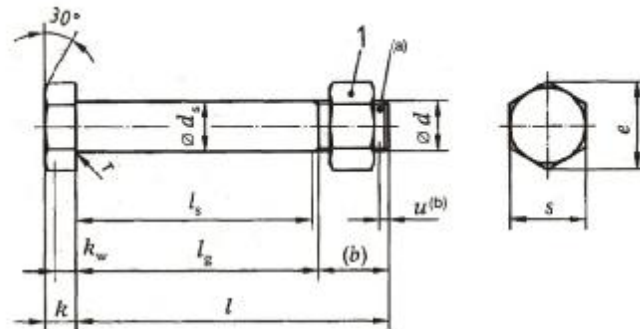




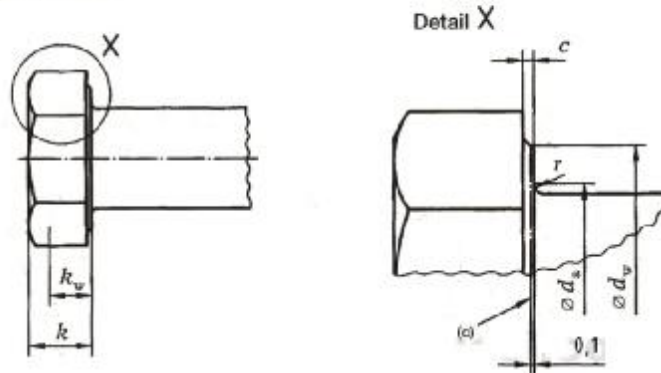
TRANSHOW INDUSTRY LIMITED

GAOYANG RD, ZHOULAN VILLAGE, JIANGSHAN TOWN
 YINZHOU DISTRICT, NINGBO CITY, 315100 CHINA
 Tel: +86-574-8736.7873 Fax: +86-574-8736.4349
www.transhow.net Email: transhow@transhow.net

DIN 7990 HEX STRUCTURE BOLTS with HEX NUTS



Bearing face design optional.



d_1	M12	M16	M20	M22	M24	M27	M30
d_2 min	19.5	23	26	28	29.5	32.5	35
b	2.5	3	4	4	4.5	4.5	5
e min	20.88	26.17	32.95	35.03	39.55	45.20	50.85
k	8	10	13	14	15	17	19
m	10	13	16	18	19	22	24
r	0.6	0.6	0.8	0.8	0.8	1	1
s	19	24	30	32	36	41	46
d_2	13	17	21	23	25	28	31

All dimensions in mm



TRANSHOW INDUSTRY LIMITED

GAOYANG RD, ZHOZHAN VILLAGE, JIANGSHAN TOWN
 YINZHOU DISTRICT, NINGBO CITY, 315100 CHINA
 Tel: +86-574-8736.7873 Fax: +86-574-8736.4349
 www.transhow.net Email: transhow@transhow.net

DIN 7990 HEX STRUCTURE BOLTS with HEX NUTS

d ₁	M12	M16	M20	M22	M24	M27	M30
d ₂ min	19.5	23	26	28	29.5	32.5	35
b	2.5	3	4	4	4.5	4.5	5
e min	20.88	26.17	32.95	35.03	39.55	45.20	50.85
k	8	10	13	14	15	17	19
m	10	13	16	18	19	22	24
r	0.6	0.6	0.8	0.8	0.8	1	1
s	19	24	30	32	36	41	46
d ₂	13	17	21	23	25	28	31
长度L	y允差 ± 1						
30	8						
35	13	9					
40	18	14	10	8			
45	23	19	15	13			
50	28	24	20	18			
55	33	29	25	23			
60	38	34	30	28	26	23	
65	43	39	35	33	31	28	
70	48	44	40	38	36	33	
75	53	49	45	43	41	38	
80	58	54	50	48	46	43	40
85	63	59	55	53	51	48	45
90	68	64	60	58	56	53	50
95	73	69	65	63	61	58	55
100	78	74	70	68	66	63	60
105	83	79	75	73	71	68	65
110	88	84	80	78	76	73	70
115	93	89	85	83	81	78	75
120	98	94	90	88	86	83	80
125		99	95	93	91	88	85
130		104	100	98	96	93	90
135		109	105	103	101	98	95
140		114	110	108	106	103	100
145		119	115	113	111	108	105
150		124	120	118	116	113	110
155			125	123	121	118	115
160			130	128	126	123	120
165			135	133	131	128	125
170			140	138	136	133	130
175			145	143	141	138	135
180				148	146	143	140
185				153	151	148	145
190				158	156	153	150
195				163	161	158	155
200				168	166	163	160

All dimensions in mm